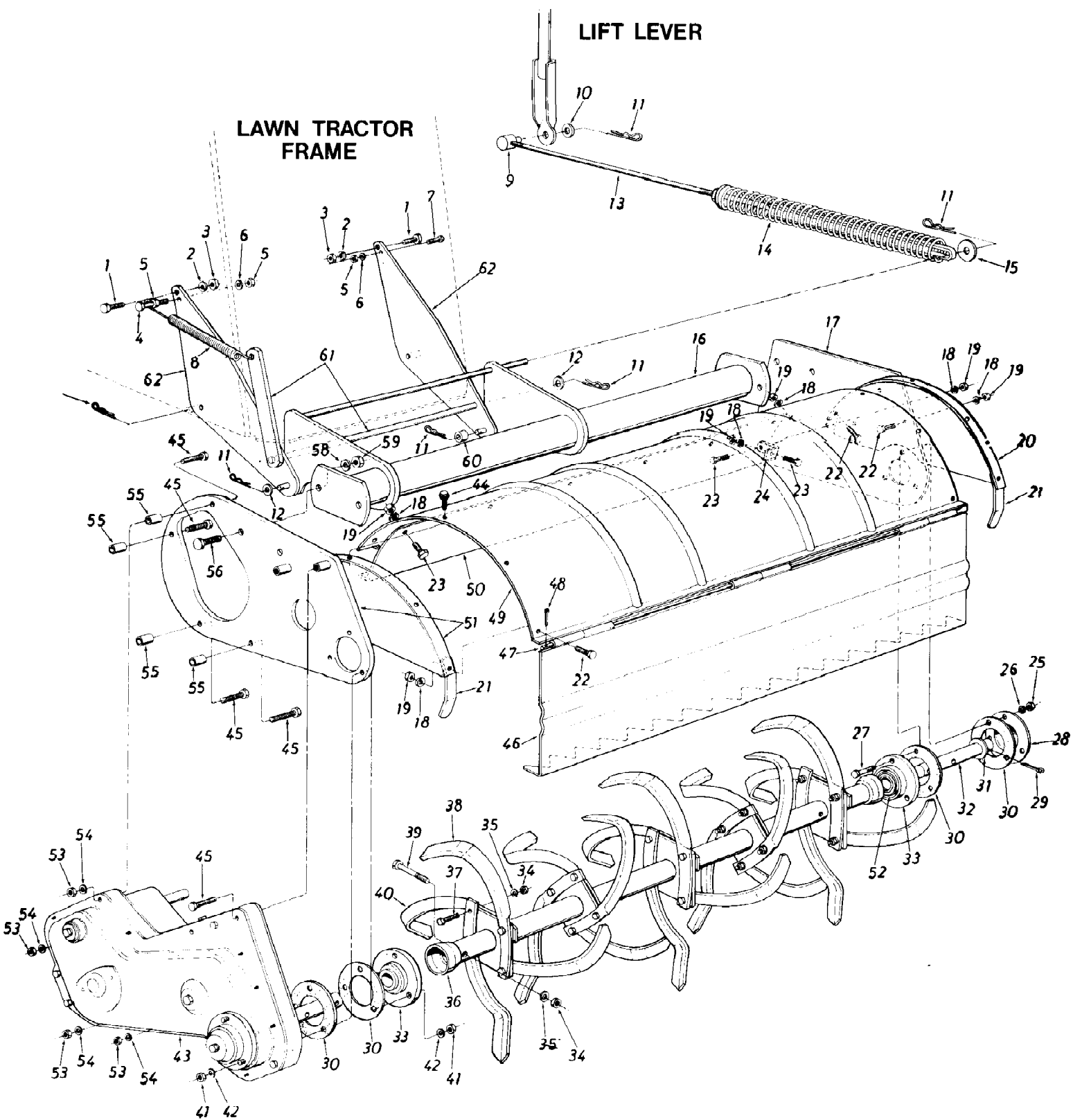


190-746-190 28" Tiller Attachment (1989)
28" Tiller Drive Assembly

Page 2 of 8

Ref #	Part Number	Qty	S/P/F	Description
1	710-0427	1	S	Hex Bolt 3/8-16 x 2.00" Lg.
2	756-0405	1	/P	Fl.-Idler w/Flanges 3-3/4" O.D.
3	756-0438	1	S	5/8" "V"-Pulley.790" I.D. x .650" O.D.
4	712-0241	1	/P	Hex Nut 3/8-24 Thd.*
5	736-0217	1	S	L.-Wash. 3/8" I.D. Heavy Duty
6	710-0696	1	/P	Hex Bolt 3/8-24 x .88" 4.*
7	784-0054	1	S	Carriage Bracket
8	738-0533	1	S	Shoulder Bolt .498" Dia.
9	736-0169	1	S	L.-Wash. 3/8" I.D.*
10	712-0798	1	/P	Hex Nut 3/8-16 Thd. Lg.
11	05406	1	S	Belt Guard
12	738-0789	1		Shaft .787" Dia. x 3.21" Lg.
13	784-0070	1		Belt Separator Plate
14	756-0433	1		Fl.-Idler w/Flanges 3.25"
15	736-0235	1		Fl.-Wash. .406" I.D. x 1.25"
16	784-0071	1		Idler Bracket Ass'y.
17	784-0073	1		Idler Bracket Support Ass'y.
18	715-0105	1		Spring Pin Roll 3/16" Dia.
19	756-0439	1		5/8" V-pulley 1.50" I.D. x 6.50" O.D.
20	710-0347	1	/P	Hex Bolt 3/8-16 x 1.75" Lg.
21	754-0283A	1		"V"-Belt
22	710-0371	1	/P	Hex Bolt 5/16-18 x .88" Lg. Spec.
23	736-0119	1	S	L.-Wash 5/16" I.D.*
24	736-0231	1	S	Fl.-Wash. .344" I.D. x 1.125"
25	712-0267	1	S	Hex Nut 5/16-18 Thd. Lg.
26	736-0119	1	S	L.-Wash. 5/16" I.D.*
27	08253B	1	/P	Bearing Housing 1.85" I.D.
28	741-0919	1	S	Ball Bearing 1.85" O.D.
29	719-0198	1		Hex Sems Bolt 5/16-18 x .75"
30	750-0497	1		Spacer
31	754-0229	1	S	Belt 1/2" Wide x 52" Long
32	714-0161	1	S	Hi-Pro Key 3/16" x 5/8"
33	750-0763	1		Spacer.66" I.D. x 1.0" O.D.
34	732-0611	1	S	Extension Spring



190-746-190 28" Tiller Attachment (1989)
28" Tiller Tine Assembly

Page 4 of 8

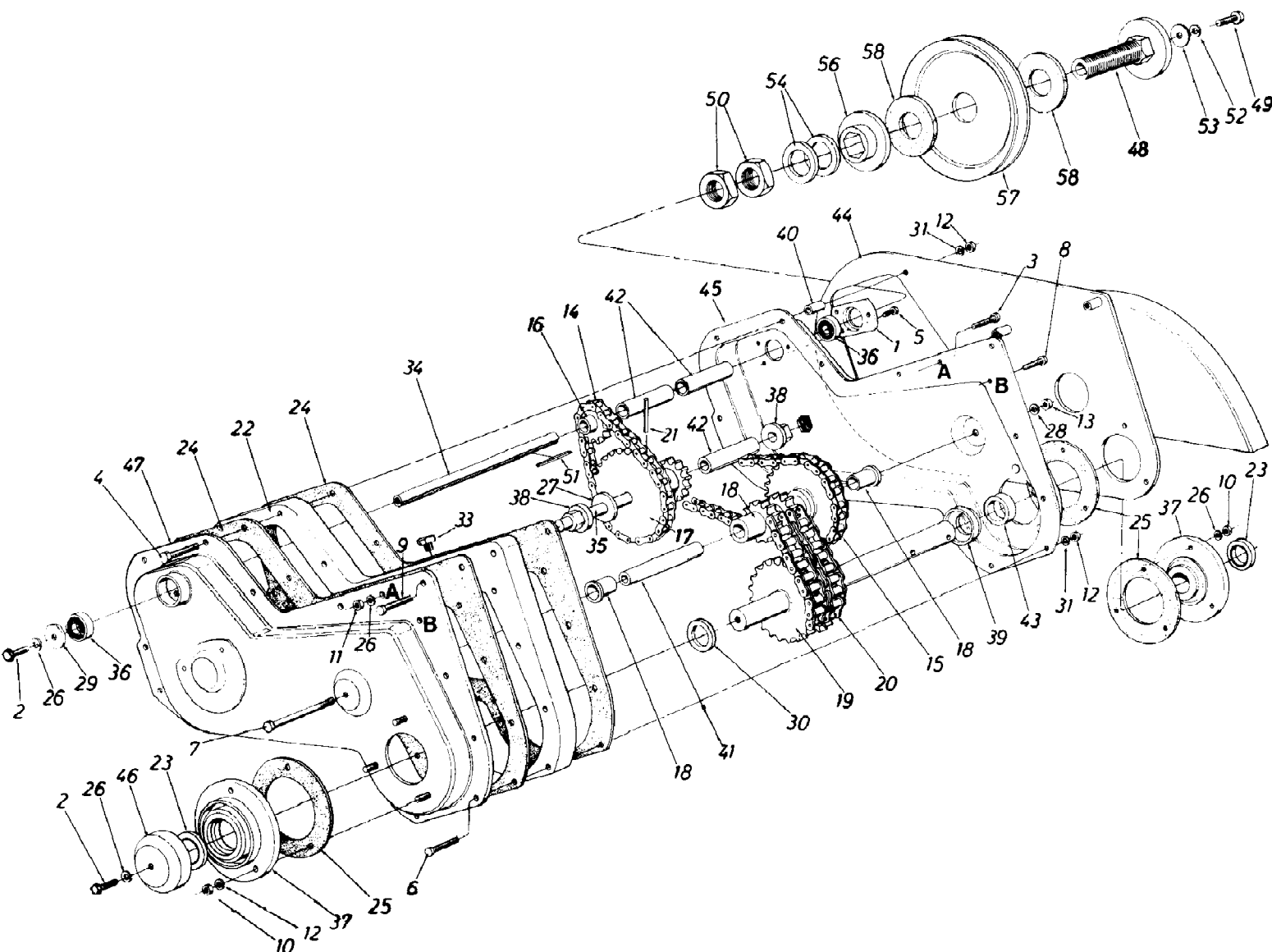
Ref #	Part Number	Qty	S/P/F	Description
1	710-0696	1	/P	Hex Bolt 3/8-24 x .88" Lg.*
2	736-0217	1	S	L.-Wash. 3/8" I.D. Heavy Duty
3	712-0241	1	/P	Hex Nut 3/8-24 Thd.*
4	710-0624	1	/P	Hex Bolt 5/16-24 x 1.50" Lg.*
5	712-0123	1	/P	Hex Nut 5/16-24 Thd.*
6	736-0119	1	S	L.-Wash. 5/16" I.D.*
7	710-0117	1	S	Hex Bolt 5/16-24 x 1.00" Lg.*
8	732-0185	1	S	Extension Spring .56" O.D. x 7.75" Lg.
9	711-0770	1	S	Adjustment Ferrule 1/2-13 0 Thd.
10	736-0187	1	/P	Fl.-Wash. .640" I.D. x 1.24" O.D. x .060
11	714-0145	1	S	Intern. Cotter Pin 1/2" Dia.
12	736-0272	1	S	Fl.-Wash. .510" I.D. x 1.0" O.D. x .060
13	784-0050	1		Lift Rod Ass'y. 39.0" Lg.
14	732-0460	1		Compression Spring 1.50" O.D. x 15.0" Lg.
15	736-0208	1	S	Fl.-Wash. .51" I.D. x 1.50" O.D. x .075
16	784-0063	1		Pivot Bracket Assembly
17	784-0056	1	S	Tiller Housing Plate-R.H.
18	736-0119	1	S	L.-Wash. 5/16" I.D.*
19	712-0123	1	/P	Hex Nut 5/16-24 Thd.*
20	784-0058	1	S	End Cover-Tine Shield- 0 R.H.
21	784-0069	1	S	Tine Shield Hinge Flap Support
22	710-0157	1	/P	Hex Bolt 5/16-24 x .75" Lg.*
23	710-0237	1	/P	Hex Bolt 5/16-24 x .62" Lg.*
24	12541	1		Chute Pivot Bracket
25	712-0158	1	S	Hex Cent. L-Nut 5/16-18 0 Thd.
26	736-0119	1	S	L.-Wash. 5/16" I.D.*
27	710-0376	1	/P	Hex Bolt 5/16-18 x 1.0" Lg. (Grade 5)
28	784-0068	1	S	Grease Housing Cup
29	714-0470	1	S	Cotter Pin 1/8" Dia. x 1.25" Lg.*
30	721-0133	1		Gasket for Brg. Housin
31	736-0246	1	/P	Fl.-Wash. 1.25" I.D. x 2.00" O.D. x .06
32	738-0630	1		Tine Shaft R.D. 1.25" Dia. x 6.25" Lg.
33	741-0417	1		Bearing Housing w/Bearin
34	712-0241	1	/P	Hex Nut 3/8-24 Thd.*
35	736-0217	1	S	L.-Wash. 3/8" I.D. Heavy Duty
36	784-0107	1		Tine Adapter Assly.
37	710-0459	1	S	Hex Bolt 3/8-24 x 1.50" Lg.
38	742-0243	1	S	Tine 14" x 5/16"
39	710-0331	1	/P	Hex Bolt 3/8-24 x 2.25" Lg.*
40	742-0244	1	S	Tine 14" x 5/16"
41	712-0158	1	S	Hex Cent. L.-Nut 5/16-18 0 Thd.
42	736-0119	1	S	L.-Wash. 5/16" I.D.*
43	884-0061-5	1		Chain Case Ass'y. Comp.
44	710-0604	1	S	Hex Wash. TT Tap. Scr. 5/16-18 x .62" Lg.
45	710-0564	1	/P	Hex Bolt 1/4-20 x 2.75" Lg.*
46	784-0076	1		Tine Shield-Hinge Flap Ass'y. 30"
47	747-0479	1		Tiller Flap Rod 1/4" Dia. x 29.7" Lg.
48	714-0115	1	S	Cotter Pin 1/8" Dia. x 1.00 Lg.
49	784-0074	1		Tine Shield Ass'y. 30" Lg.
50	784-0060	1		Reinforcement Brk't.-Tine Shield
51	784-0055	1	S	Tiller Housing Plate Ass'y.
52	721-0192	1		Oil Seal Double Lip- 1-1/4" Shaft
53	712-0287	1		Hex Cent. L-Nut 5/16-18 0 Thd.*

190-746-190 28" Tiller Attachment (1989)
28" Tiller Tine Assembly

Page 5 of 8

Ref #	Part Number	Qty	S/P/F	Description
54	736-0329	1	S	L.-Wash. 1/4" I.D.*
55	750-0599	1	S	Spacer .28" I.D. x .62" O.D. x .90 " Lg.
56	710-0592	1		Hex Bolt 1/2-13 x 1.00" Lg.*
58	736-0921	1	S	L.-Wash. 1/2" I.D.*
59	712-0206	1	S	Hex Nut 1/2-13 Thd.*
60	711-0212	1		Spacer.50" I.D. x 1.00" O.D. x .50" Lg.
61	784-0073	1		Idler Bracket Support Arm Ass'y
62	784-0064B	1	S	Pivot Bracket Support

190-746-190 28" Tiller Attachment (1989)
Chain Case Assembly



Ref #	Part Number	Qty	S/P/F	Description
1	05034	1	S	Bearing Housing 1-3/8" Dia.
2	710-0371	1	/P	Hex Bolt 5/16-18 x .88" Lg. Spec.
3	710-0442	1	S	Hex Bolt 5/16-18 x 1.50" Lg.*
4	710-0564	1	/P	Hex Bolt 1/4-20 x 2.75" Lg.*
5	710-0599	1	/P	Hex Wash. S-Tap. Scr. 1/4-20 x .50" Lg.
6	710-0606	1	/P	Hex Bolt 1/4-20 x 1.50" Lg.
7	710-0693	1	/P	Hex Bolt 3/8-16 x 4.5" Lg.
8	710-0778	1	/P	Hex Wash. Hd. Bolt 1/4-20 0 x 1.5" Lg.
9	710-0909	1	S	Hex Wash. TT-Tap Scr. 5/16-18 x 1.75" Lg.
10	712-0158	1	S	Hex Cent. L.-Nut 5/16-18 0 Thd.
11	712-0267	1	S	Hex Nut 5/16-18 Thd.*
12	712-0287	1	S	Hex Nut 1/4-20 Thd.*
13	712-0798	1	/P	Hex Nut 3/8-16 Thd.*
14	713-0131	1		#41 Chain 1/2" Pitch x 34 0 Links-Endless
15	713-0186	1	S	#42 Chain 1/2" Pitch x 48 0 Links-Endless
16	713-0206	1		Sprocket 10 Tooth .500" Pitch
17	713-0341	1		10 & 28 Teeth Sprocket Ass'y.
18	713-0342	1		8-2 & 28 Sprocket Sleeve Ass'y.
19	713-0362	1		18-2 Sprocket Shaft Ass'y.
20	713-0344	1	S	#50-2 Chain 5/8" Pitch x 28 Links-Endless
21	715-0114	1	S	Spring Pin Spir. 1/4" Dia. x 1.50" 4
22	717-0811	1		Spacer Block-Tiller Housing
23	721-0192	1		Oil Seal Double Lip-1-1/4" Dia.
24	721-0132	1	S	Gasket for Tiller Housing
25	721-0133	1		Gasket for Brg.-Housing
26	736-0119	1	S	L.-Wash. 5/16" I.D.*
27	736-0187	1	/P	Fl.-Wash. .640" I.D. x 1.24" O.D.
28	736-0217	1	S	L.-Wash. 3/8" I.D. Heavy Duty
29	736-0231	1	S	Fl.-Wash. .344" I.D. x 1.125" O.D.
30	736-0368	1		Special Washer
31	736-0329	1	S	L.-Wash. 1/4" I.D.
	737-0133	1	S	Grease-Plastilube #0 (Not Shown)
33	737-0175	1		Vent Plug
34	738-0181	1		Jack Shaft .525" I.D. x 7.78" Lg.
35	738-0594	1		Sprocket Shaft .63" Dia. x 5.0" Lg.
36	741-0155	1	S	Ball Brg. .62" I.D. x 1.38" O.D.
37	741-0417	1		Bearing Housing- 1-1/4"
38	748-0229	1	S	Hex Flange Brg.
39	750-0563	1		Spacer 1.25" I.D. x 2.0" O.D.
40	750-0599	1	S	Spacer .28" I.D. x .62" O.D. x .90" Lg.
41	750-0600	1		Spacer .38" I.D. x .62" O.D. x 3.44" Lg.
42	750-0601	1	S	Spacer .62" I.D. x .88" O.D. x 1.56" Lg.
43	750-0636	1		Spacer 1.25" I.D. x 1.62" O.D. x .50" 4.
44	784-0055	1	S	Tiller Housing Plate Ass'y.- 0 L.H.
45	784-0061	1	S	Tiller Housing Ass'y.
46	784-0067	1		Dust Cap .320" Dia. Hole
47	784-0077	1		Tiller Housing Ass'y.-R.H.
48	15727	1		Friction Disc Ass'y.
49	710-0573	1		Hex Bolt 5/16-18 x 1.25" Lg. Grade 5
50	712-0331	1		Hex Jam Nut 1.0-14 x 28 0 Thd.
51	714-0133	1	S	Sq. Key 3/16 x 1.50" Lg.
52	736-0119	1	S	L.-Wash. 5/16" I.D.*
53	736-0231	1		Fl.-Wash. .344" I.D. x 1.125" O.D.

190-746-190 28" Tiller Attachment (1989)
Chain Case Assembly

Page 8 of 8

Ref #	Part Number	Qty	S/P/F	Description
54	736-0352	1		Spring Bell Wash. 1.0" I.D. x2.0" O.D.
56	748-0296	1		Floating Disc 3-1/4" O.D. x 1.0" I.D.
57	756-0439	1		5/8 V-Pulley 1.50" I.D. x 6.50"
58	761-0189	1		Friction Pad 3-1/4" O.D. x 1-3/8" I.D.